

Parallel Programming

Libraries and implementations



Reusing this material



This work is licensed under a Creative Commons Attribution-NonCommercial-ShareAlike 4.0 International License.

http://creativecommons.org/licenses/by-nc-sa/4.0/deed.en_US

This means you are free to copy and redistribute the material and adapt and build on the material under the following terms: You must give appropriate credit, provide a link to the license and indicate if changes were made. If you adapt or build on the material you must distribute your work under the same license as the original.

Note that this presentation contains images owned by others. Please seek their permission before reusing these images.

Outline

- How we manage software packages & libraries on ARCHER
- MPI – distributed memory de-facto standard
 - Using MPI
- OpenMP – shared memory de-facto standard
 - Using OpenMP
- Other parallel programming technologies
 - CUDA, OpenCL, OpenACC
- Examples of common scientific libraries

The module environment

Managing software packages and libraries

Module environment

```
user@eslogin001:~> module list
```

```
Currently Loaded Modulefiles:
```

```
1) modules/3.2.10.2          9) rca/1.0.0-2.0502.57212.ari
2) eswrap/1.3.3-1.020200.1278.0  10) atp/1.8.3
3) switch/1.0-1.0502.57058.1.58.ari  11) PrgEnv-cray/5.2.56
4) craype-network-aries      12) pbs/12.2.401.141761
5) craype/2.4.2             13) craype-ivybridge
6) cce/8.4.1                14) cray-mpich/7.2.6
7) cray-libsci/13.2.0       15) packages-archer
8) udreg/2.3.2-1.0502.9889.2.20.ari  16) bolt/0.6
```

- The module environment allows you to easily load different packages and manage different versions of packages.
- Via the *module* command
 - *List loaded modules, view available modules, load and unload modules*



Using the module environment

```
user@eslogin001:~> module avail
```

```
PrgEnv-cray/5.1.29          PrgEnv-cray/5.2.56(default)          PrgEnv-gnu/5.1.29
PrgEnv-intel/5.1.29        PrgEnv-intel/5.2.56(default)cray-mpich/6.3.1
cray-mpich/7.1.1           cray-mpich/7.2.6(default)            cray-mpich/7.3.2
cray-netcdf/4.3.3(default)  cray-netcdf/4.4.1                    cray-petsc/3.5.2.1
cray-petsc/3.6.3.0         cray-petsc/3.6.1.0 (default)         cray-petsc/3.7.2.0
fftw/2.1.5.7               fftw/2.1.5.9                          fftw/3.3.4.5(default)
fftw/3.3.4.7               fftw/3.3.4.9
```

```
user@eslogin001:~> module load fftw
```

```
user@eslogin001:~> module unload fftw
```

```
user@eslogin001:~> module load fftw/2.1.5.7
```

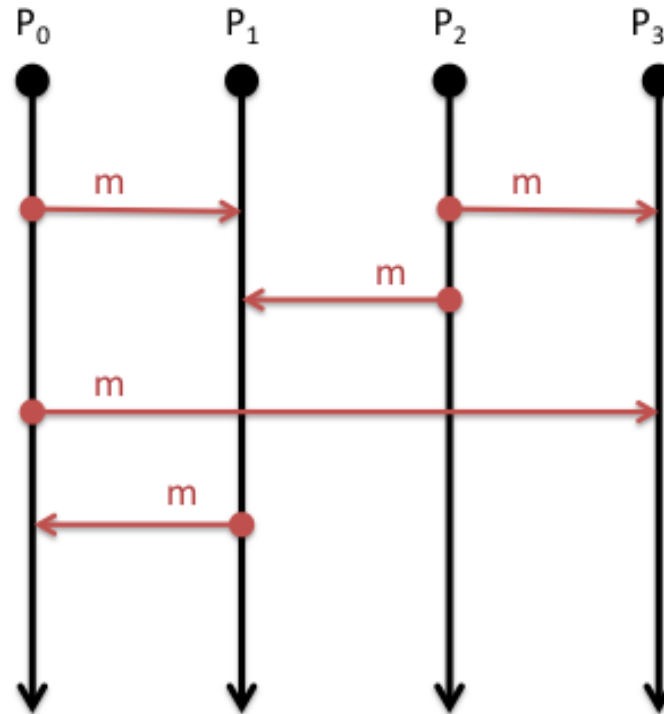
```
user@eslogin001:~> module switch fftw/2.1.5.7 fftw/3.3.4.9
```

```
user@eslogin001:~> module swap PrgEnv-cray PrgEnv-gnu
```

MPI Library

Distributed, message-passing programming

Message-passing concepts



What is MPI?

- Message Passing Interface
- MPI is not a programming language
 - There is no such thing as an *MPI compiler*
- MPI is available as a *library* of function/subroutine calls
 - The library implements the MPI standard
- The C or Fortran compiler knows nothing about what MPI actually does
 - Just the prototype/interfaces of the functions/subroutine
 - It is just another library

The MPI standard

- MPI itself is a standard
- Agreed upon by approx 100 representatives from about 40 organisations (the MPI forum)
 - Academics
 - Industry
 - Vendors
 - Application developers
- First standard (MPI version 1.0) drafted in 1993
 - We are currently on version 3
 - Version 4 is being drafted

MPI Libraries

- The MPI forum defines the standard and vendors/open source developers then actually implement this
- There are a number of different implementations but all should support version 2.0 or 3.0
 - As with compilers there are variations in implementation details but all features in the standards should work
 - Examples: MPICH and OpenMPI
 - Cray-MPICH on ARCHER which implements version 3.1 of the standard (optimised for Cray machines, specifically the interconnect)

Features of MPI

- MPI is a portable library used for writing parallel programs using the message passing model
 - You can expect MPI to be available on any HPC platform you use
 - Aids portability between HPC machines and is trivial to install on local clusters
- Based on a number of processes running independently in parallel
 - The HPC resource provides the command to launch the processes in parallel (i.e. *aprun* or *mpiexec*)
 - Can think of each process as an instance of your executable communicating with other instances

Explicit Parallelism

- In message-passing all the parallelism is explicit
 - The program includes specific instructions for each communication
 - What to send or receive
 - When to send or receive
 - Synchronisation
- It is up to the developer to design the parallel decomposition and implement it
 - How will you divide up the problem?
 - When will you need to communicate between processes?

Supported features

- Point to point communications
 - Communications involving two processes; a sender and receiver
 - Wide variety of semantics involving non-blocking communications
 - Other aspects such as wildcards & custom data types
- Collective communications
 - Communication that involves many processes
 - Implements all the collective communications we saw in the programming models lecture and many more
 - Also supports non-blocking communications and custom data types

Example: MPI HelloWorld

```
#include "mpi.h"
```

```
int main(int argc, char* argv[])
```

```
{
```

```
    int size,rank;
```

```
    MPI_Init(&argc, &argv);
```

```
    MPI_Comm_size(MPI_COMM_WORLD, &size);
```

```
    MPI_Comm_rank(MPI_COMM_WORLD, &rank);
```

```
    printf("Hello world - I'm rank %d of %d\n", rank, size);
```

```
    MPI_Finalize();
```

```
    return 0;
```

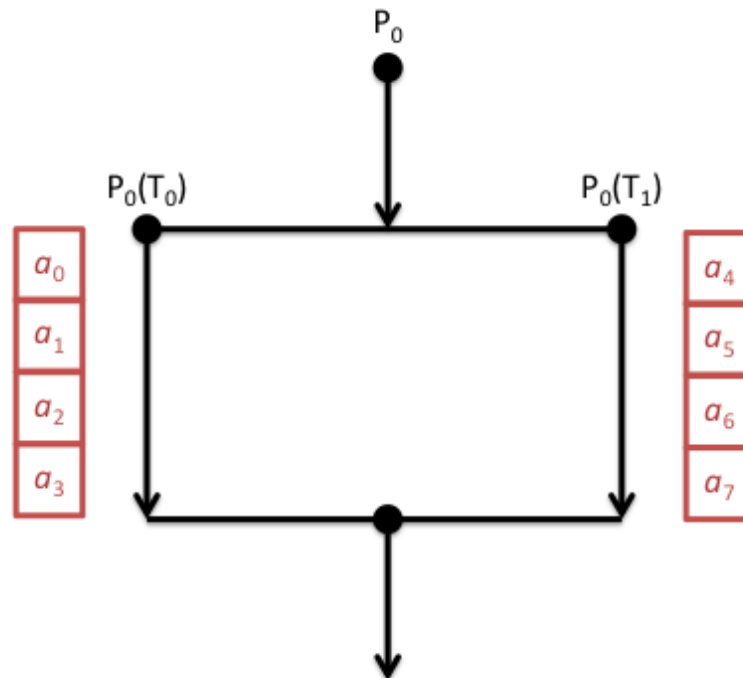
```
}
```

OpenMP

Shared-memory parallelism using directives

Shared-memory concepts

- Threads “communicate” by having access to the same memory space
 - Any thread can alter any bit of data
 - No explicit communications between the parallel tasks



OpenMP

- Open Multi Processing
 - Application programming interface (API) for shared variable programming
- Set of extensions to C, C++ and Fortran
 - Compiler directives
 - Runtime library functions
 - Environment variables
- Not a library interface like MPI
- Uses directives, which are a special line in the source code with a meaning understood by the compilers
 - Ignored if OpenMP is disabled and it becomes regular sequential code
- This is also a standard (<http://openmp.org>)

Features of OpenMP

- Directives define parallel regions in the code
 - OpenMP threads are active in these regions and divide the workload amongst themselves
- The compiler needs to understand what OpenMP does
 - It is responsible for producing the parallel code
 - OpenMP supported by all common compilers used in HPC
- Parallelism less explicit than MPI
 - You just specify what parts of the program you want to run in parallel
- OpenMP version 4.5 is the latest version
- Can be used to program the Xeon Phi

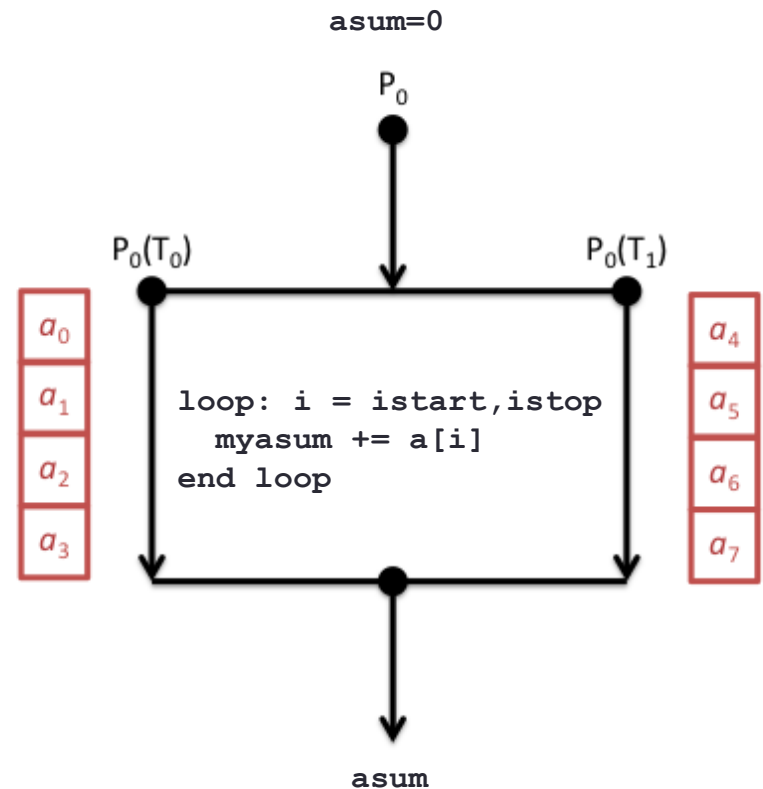
Loop-based parallelism

- The most common form of OpenMP parallelism is to parallelise the work in a loop
 - The OpenMP directives tell the compiler to divide the iterations of the loop between the threads

```
#pragma omp parallel shared(a,b,c) private(i)
{
    #pragma omp for schedule(dynamic) nowait
    for (i=0; i < N; i++) {
        c[i] = a[i] + b[i];
    }
}
```

Addition example

```
asum = 0.0
#pragma omp parallel \
shared(a,N) private(i) \
reduction(+:asum)
{
    #pragma omp for
    for (i=0; i < N; i++)
    {
        asum += a[i];
    }
}
printf("asum = %f\n", asum);
```



Other parallel programming technologies

Programming accelerators and less common technologies

CUDA

- CUDA is an Application Program Interface (API) for programming NVIDIA GPU accelerators
 - Proprietary software provided by NVIDIA. Should be available on all systems with NVIDIA GPU accelerators
 - Write GPU specific functions called *kernels*
 - Launch kernels using syntax within standard C programs
 - Includes functions to shift data between CPU and GPU memory
- Similar to OpenMP programming in many ways in that the parallelism is implicit in the kernel design and launch



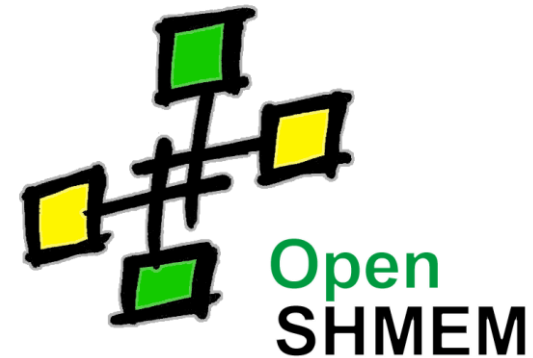
OpenCL

- An open, cross-platform standard for programming accelerators
 - includes GPUs, e.g. from both NVIDIA and AMD
 - also Xeon Phi, Digital Signal Processors, ...
- Comprises a language + library
- Harder to write than CUDA if you have NVIDIA GPUs
 - but portable across multiple platforms
 - although maintaining performance is difficult



Other parallel implementations

- Partitioned Global Address Space (PGAS)
 - Coarray Fortran, Unified Parallel C, Chapel
- Cray SHMEM, OpenSHMEM
 - Single-sided communication library
- OpenACC
 - Directive-based approach for programming accelerators



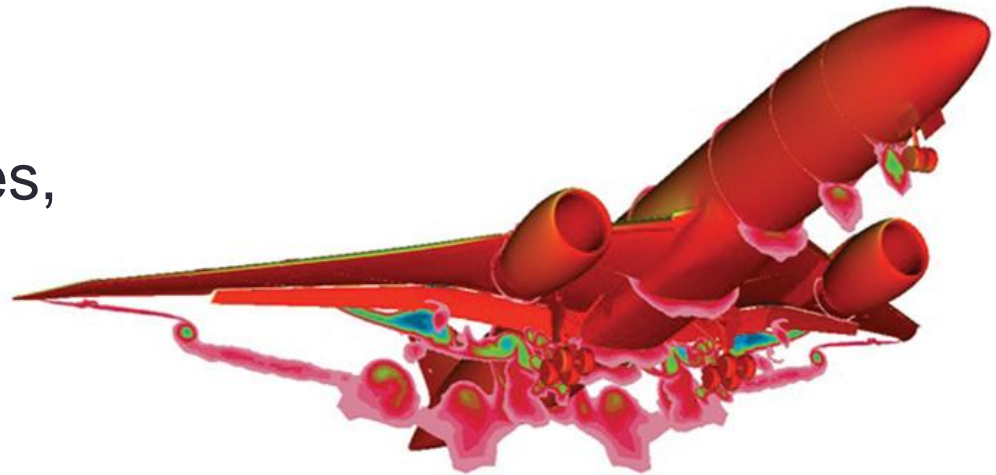
Common scientific parallel libraries

Two examples commonly used on HPC machines



PETSc

- Portable Extensible Toolkit for Scientific Computation
 - Suite of data structures & routines for the parallel and scalable solution of PDEs
 - The programmer uses the library framework itself which under the hood will use parallel technologies MPI, OpenMP and/or CUDA.
- Unlike many serial libraries, you the programmer are responsible for performance & scalability.



NetCDF



- Network Common Data Form
 - Self describing, machine independent file data format and implementation that is very common for writing and reading scientific data
- Parallel version supporting parallel IO
 - Multiple processes/threads can read and write to a file concurrently
 - Built on top of MPI
- Many third party tools such as visualisation suites
- Again requires user understanding, both from the programmer and also the user (file configuration options)

Summary

Parallel and scientific libraries

- The module environment is an easy way of managing many different software packages, their dependencies and different versions.
- Distributed memory programmed using MPI
- Shared memory programmed using OpenMP
- GPU accelerators most often programmed using CUDA
- There are very many software packages installed on ARCHER, but scientific libraries often require in-depth knowledge and understanding to get good performance.